



3634

Docket No.: ZTP 98 P 3021 P

I hereby certify that this correspondence is being deposited with the United States Postal Service with sufficient postage as First Class mail in an envelope addressed to the Commissioner for Patents, P.O. Box 1450, Alexandria, VA 22313-1450.

By: Markus Wolff Date: December 18, 2003

IN THE UNITED STATES PATENT AND TRADEMARK OFFICE

Applic. No.	: 09/878,665	Confirmation No:	2035
Applicant	: Ulrich Deiss		
Filed	: June 11, 2001		
Art Unit	: 3634		
Examiner	: Khoa Tran		
Docket No.	: ZTP 98 P 3021 P		
Customer No.	: 24131		

**RECEIVED**  
DEC 31 2003  
**GROUP 3600**

LETTER TO THE OFFICIAL DRAFTSMAN

Commissioner for Patents,  
P.O. Box 1450, Alexandria, VA 22313-1450

Sir:

Attached please find two (2) sheets of drawings in the above-identified application.

Please charge any fees due to Deposit Account No. 12-1099 of Lerner and Greenberg, P.A.

Respectfully submitted,

Markus Wolff

MARKUS WOLFF  
REG. NO. 37,053

For Applicant(s)

Date: December 18, 2003

Lerner and Greenberg, P.A.  
Post Office Box 2480  
Hollywood, FL 33022-2480  
Tel: (954) 925-1100  
Fax: (954) 925-1101

/av

*Drawings  
(see section  
APPROVED)  
8/19/04*

**BEST AVAILABLE COPY**



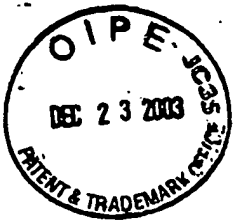


FIG. 2

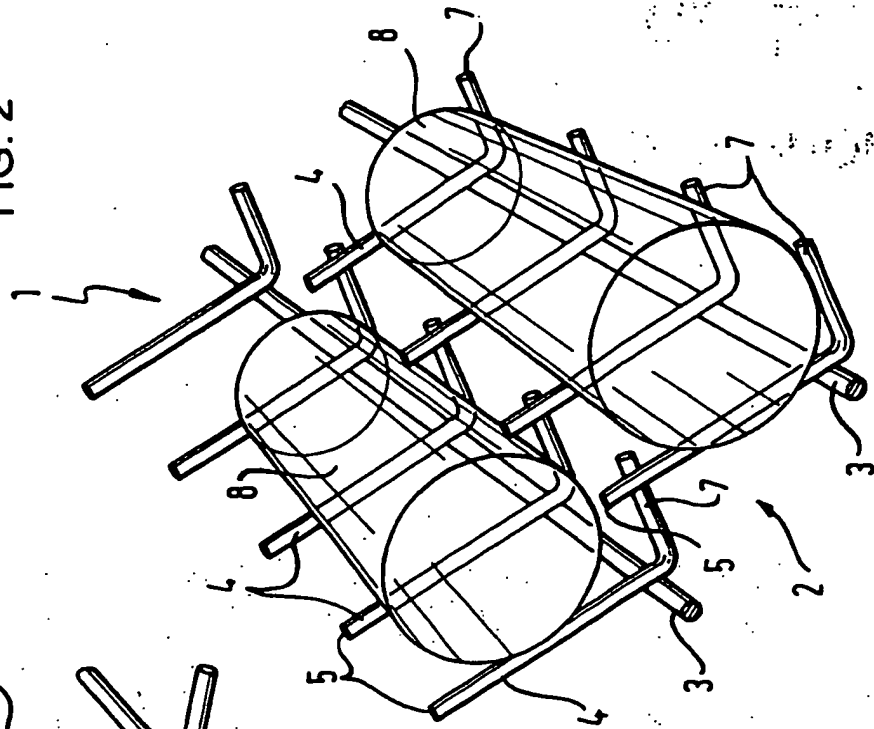
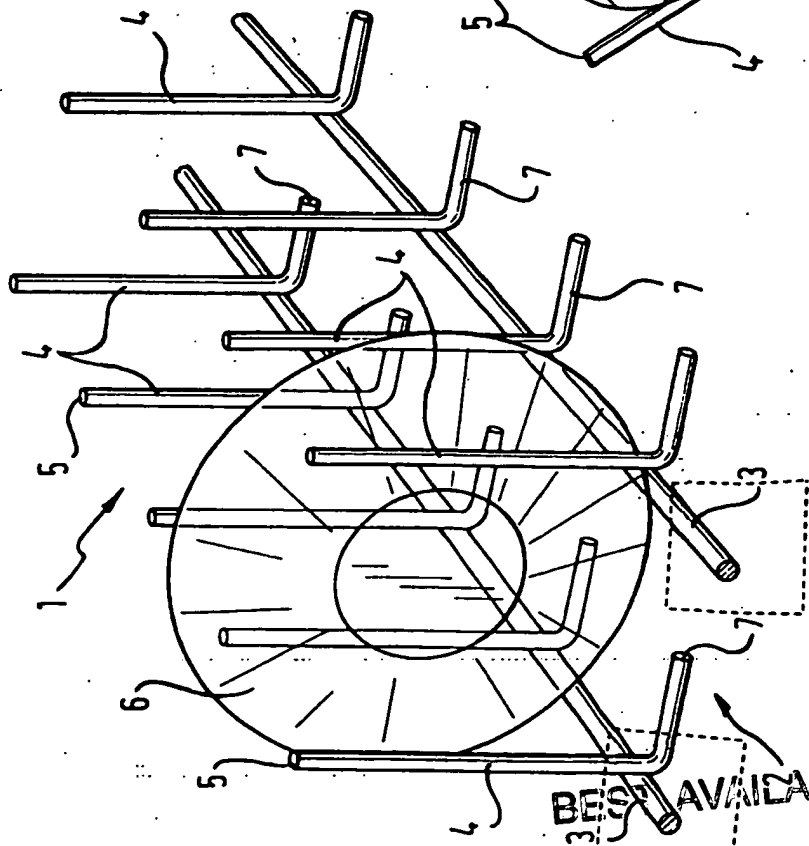


FIG. 1



BEST AVAILABLE COPY

BEST AVAILABLE COPY



2/2

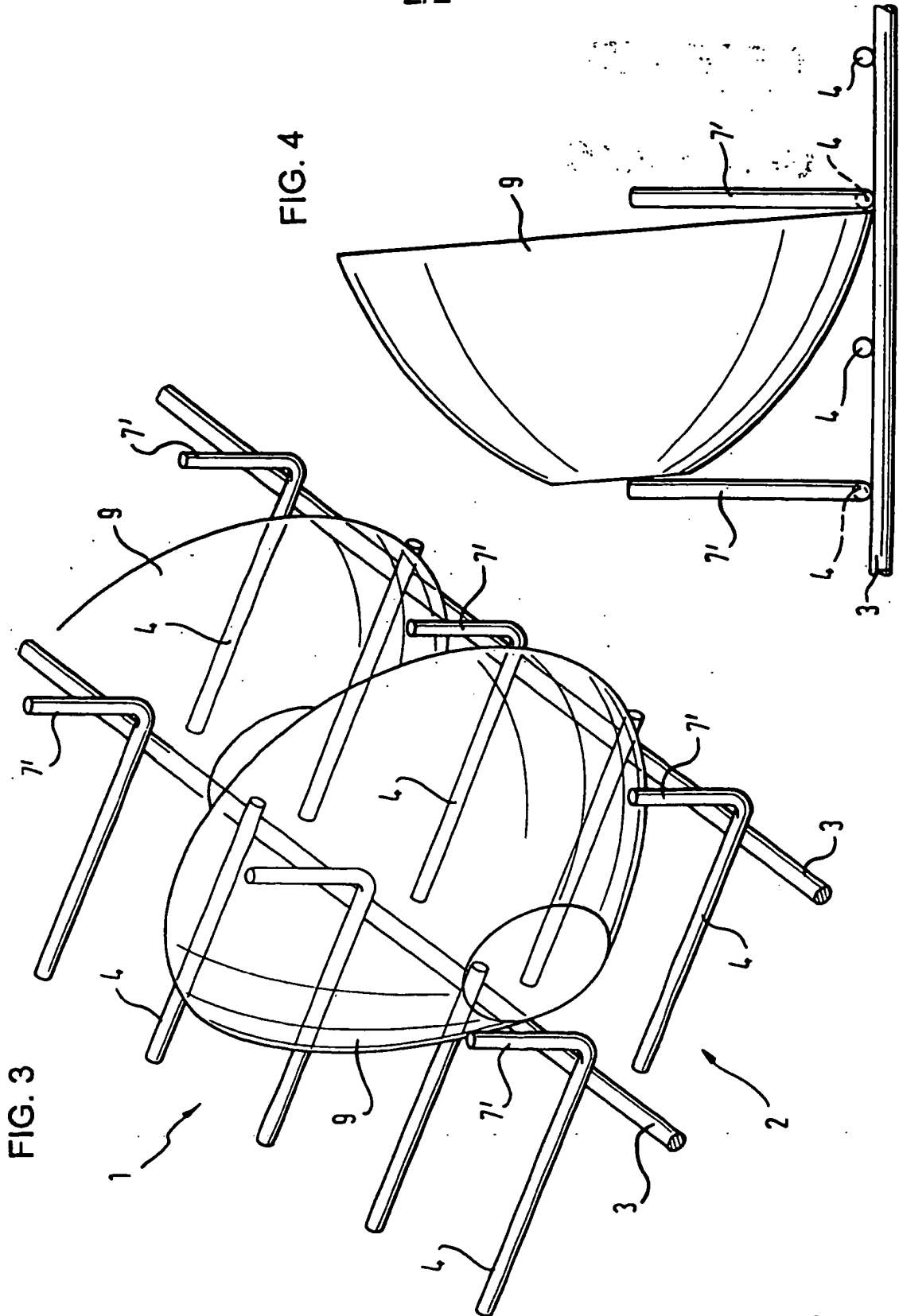


FIG. 3

FIG. 4

BEST AVAILABLE COPY